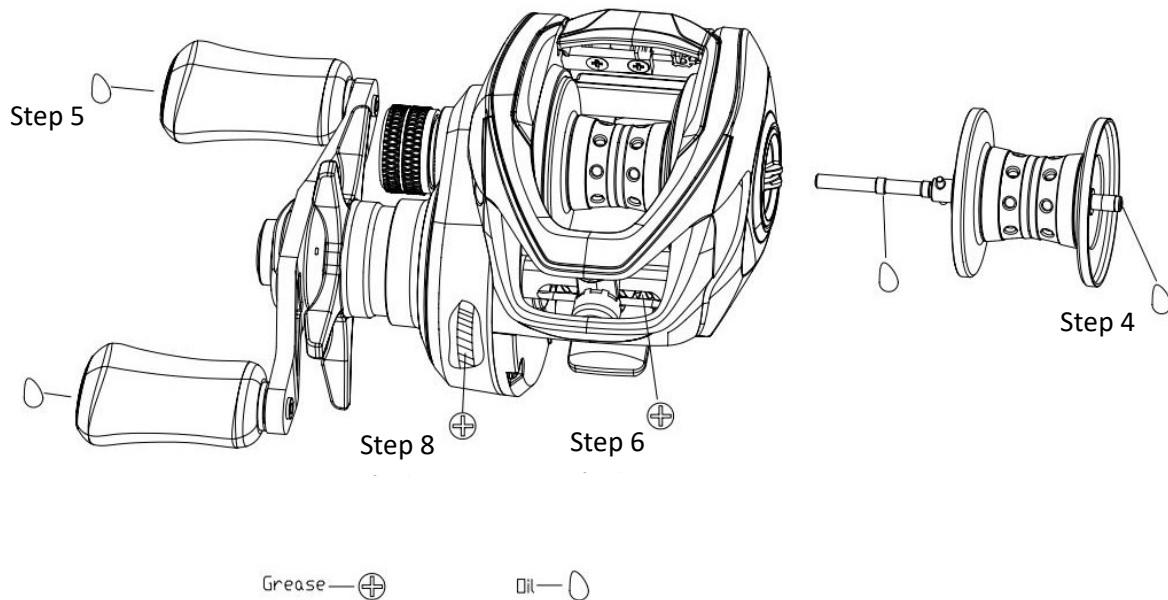


Cadence Baitcast Reel Grease Guide

To keep your reel in top condition, you should lubricate key areas to ensure that your day on the water is a success. Use the diagram and directions below as a guide to locate and maintain these areas with your lubricant.

Supplies that you will need:

- Reel Oil (Any name brand)
- Reel Grease (Any name brand)
- Screwdriver
- Clean, lint-free cloth
- Towel for drying
- Cotton Swabs
- Isopropyl rubbing alcohol



Directions

Step 1 – Clean your baitcast reel thoroughly before applying oil or grease by washing the exterior with a clean cloth and isopropyl rubbing alcohol. Use the cotton swaps for hard-to-reach places.

Step 2 – Remove the side plate and then remove the spool assembly.

Step 3 – Inspect and clean the spool assembly. Clean the spool shaft with a cotton swab to remove any dirt or debris.

Step 4 – Apply 1 to 2 drops max of reel oil to the spool shaft in the appropriate places and then re-install spool assembly (see diagram above).

Step 5 – Apply 1 to 2 drops max of reel oil to the two handle bearings (see diagram above).

Step 6 – Apply a minor amount of reel grease to the worm shaft while spinning the handle multiple times (see diagram above).

Step 7 – Unscrew the gear side cover carefully to access the drive gear.

Step 8 – Apply a minor amount of reel grease to the threads on the drive gear (see diagram above).

Step 9 – Carefully screw the gear side cover back on.

TIP: Less lubricant is always better. If you are unsure of how much to use, apply a small amount. You can always apply more later. Too much lubricant will decrease the performance of your reel.